

4

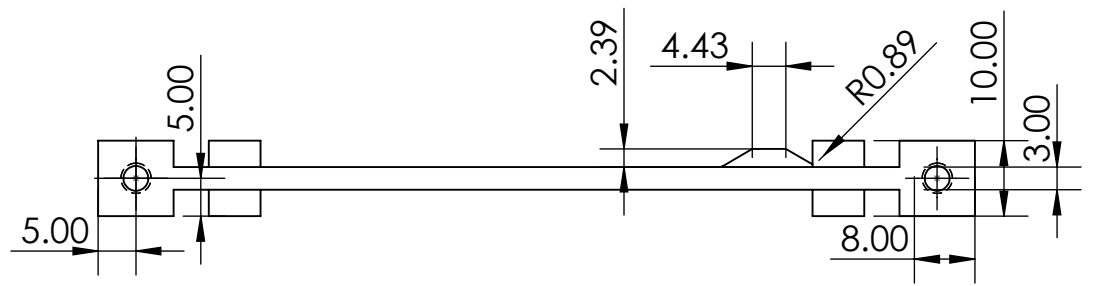
3

2

1

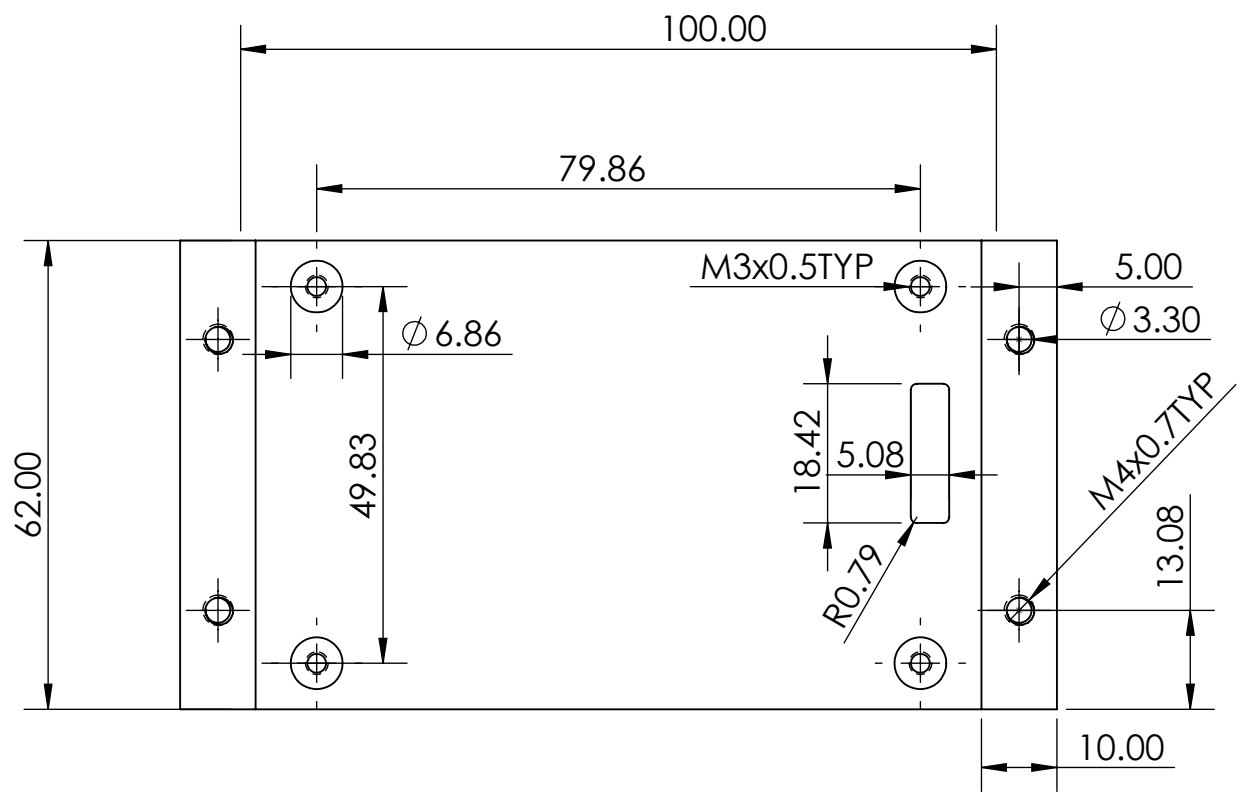
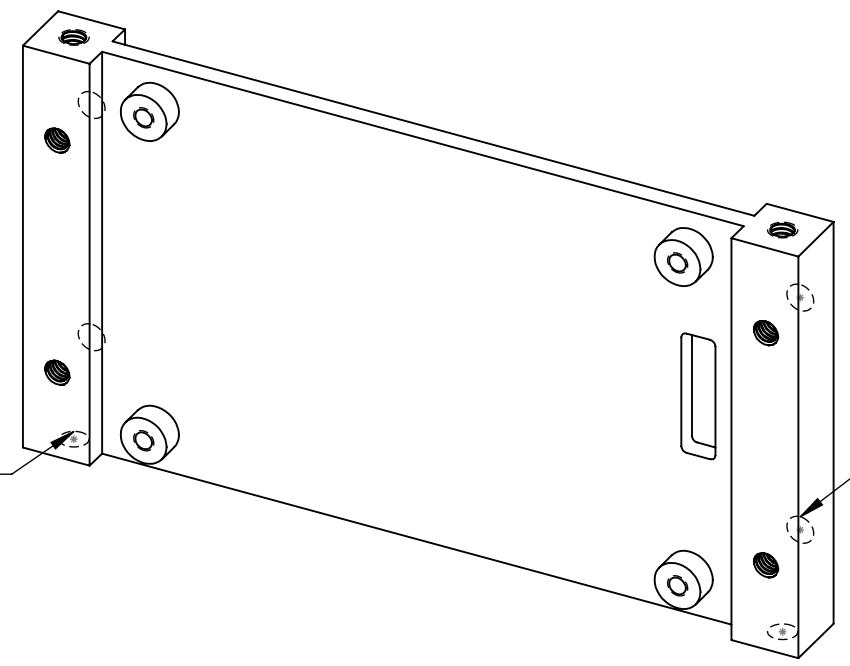
B

B



M4x0.7 Tapped Hole TYP


M4x0.7 Tapped Hole



A

A

**PROPRIETARY AND CONFIDENTIAL**  
 THE INFORMATION CONTAINED IN THIS DRAWING IS THE SOLE PROPERTY OF <INSERT COMPANY NAME HERE>. ANY REPRODUCTION IN PART OR AS A WHOLE WITHOUT THE WRITTEN PERMISSION OF <INSERT COMPANY NAME HERE> IS PROHIBITED.

		UNLESS OTHERWISE SPECIFIED:	NAME	DATE	TITLE: <b>Popoto Universal Mounting Tray</b>	
		DIMENSIONS ARE IN Millimeters	DRAWN		 <b>Popoto Modem</b>	
		TOLERANCES:	CHECKED			
		FRACTIONAL ±	ENG APPR.			
		ANGULAR: MACH ± BEND ±	MFG APPR.			
		TWO PLACE DECIMAL ±	Q.A.		SIZE	DWG. NO.
		THREE PLACE DECIMAL ±	COMMENTS:		<b>B</b>	0860504-01
		INTERPRET GEOMETRIC TOLERANCING PER:			SCALE: 1:1	WEIGHT:
		MATERIAL				SHEET 1 OF 1
		Aluminum 6061				
NEXT ASSY	USED ON	FINISH				
		<b>Bead Blasted</b>				
APPLICATION		DO NOT SCALE DRAWING				

4

3

2

1