

4

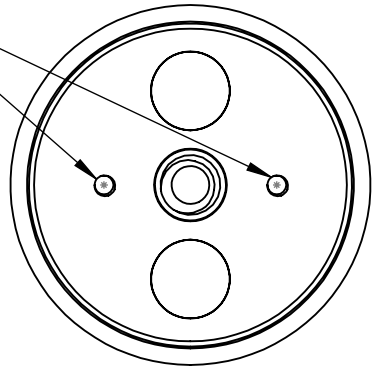
3

2

1

MOUNTING EXAMPLE AND HOLE DIMENSIONS:

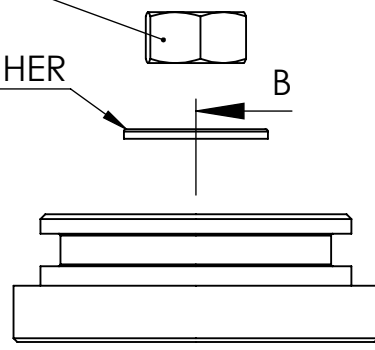
M3*0.5 THREADED HOLE



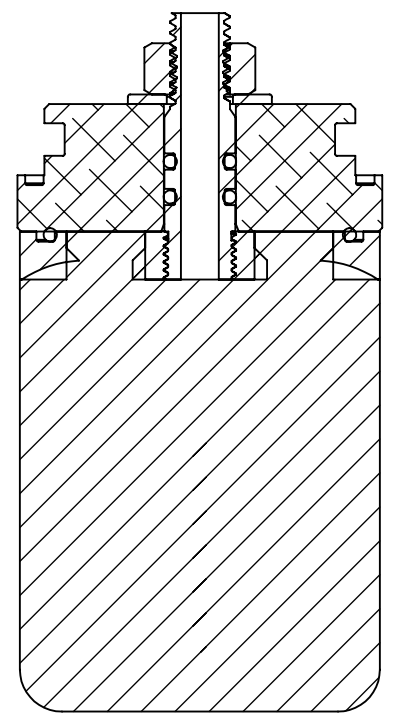
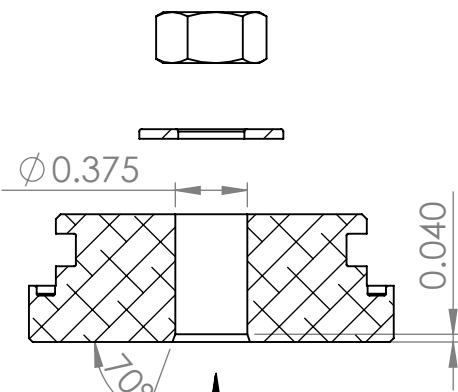
5/16-18 NUT

5/16" WASHER

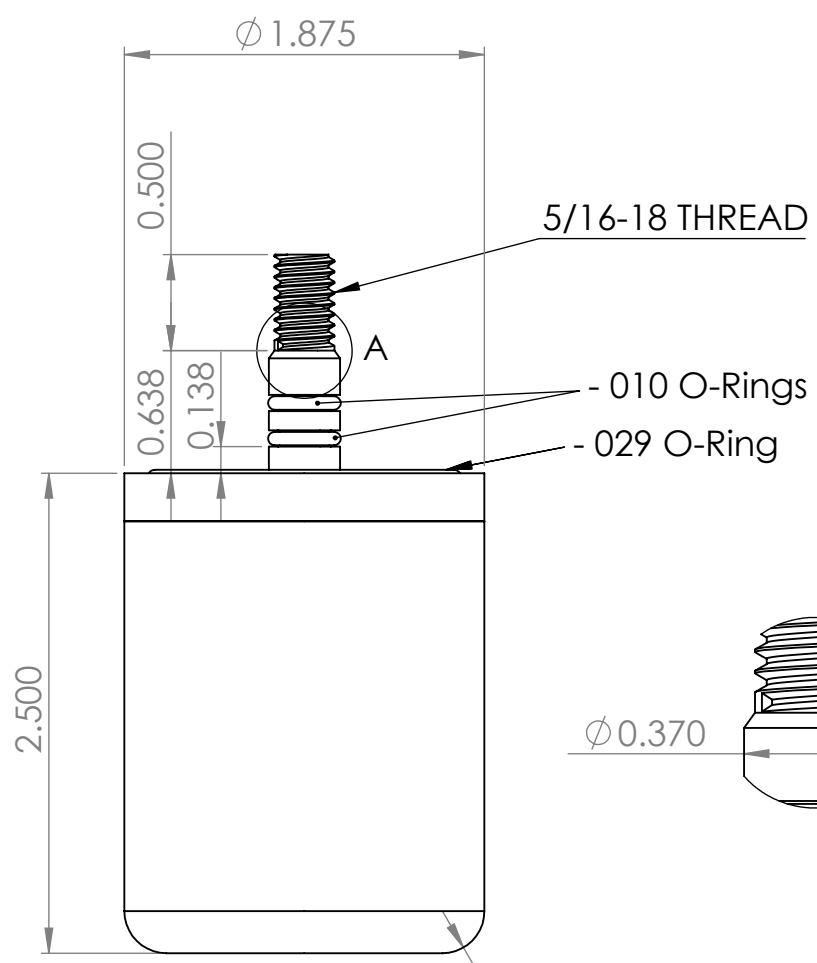
1.



2.



SECTION C-C

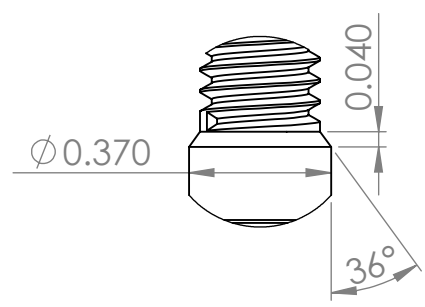


5/16-18 THREAD

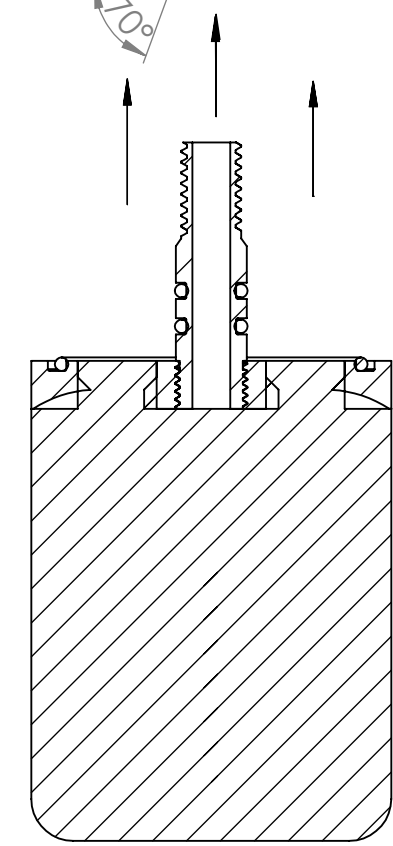
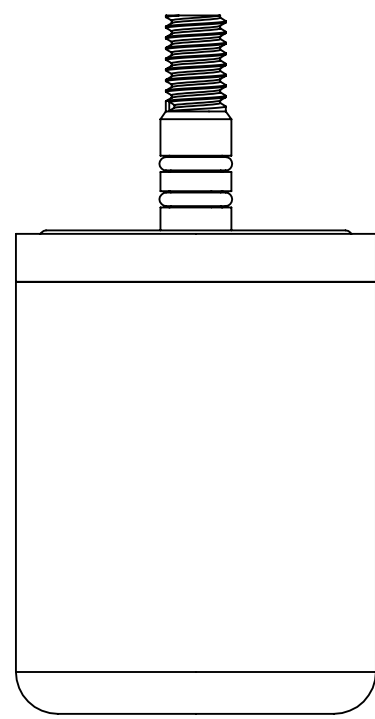
- 010 O-Rings

- 029 O-Ring

R0.219



DETAIL A SCALE 2:1



SECTION B-B



B

B

A

A

PROPRIETARY AND CONFIDENTIAL
THE INFORMATION CONTAINED IN THIS DRAWING IS THE SOLE PROPERTY OF DELRESEARCH LLC. ANY REPRODUCTION IN PART OR AS A WHOLE WITHOUT THE WRITTEN PERMISSION OF DELRESEARCH LLC IS PROHIBITED.

		UNLESS OTHERWISE SPECIFIED:		NAME	DATE		
		DIMENSIONS ARE IN TOLERANCES: TWO PLACE DECIMAL ± THREE PLACE DECIMAL ±		DRAWN		TITLE:	
		INTERPRET GEOMETRIC TOLERANCING PER:		CHECKED		089-0003-00	
		MATERIAL		ENG APPR.		SIZE	DWG. NO.
		FINISH		MFG APPR.		B	REV
NEXT ASSY	USED ON			 		SCALE: 1:1	WEIGHT:
APPLICATION		DO NOT SCALE DRAWING				SHEET 1 OF 1	

4

3

2

1