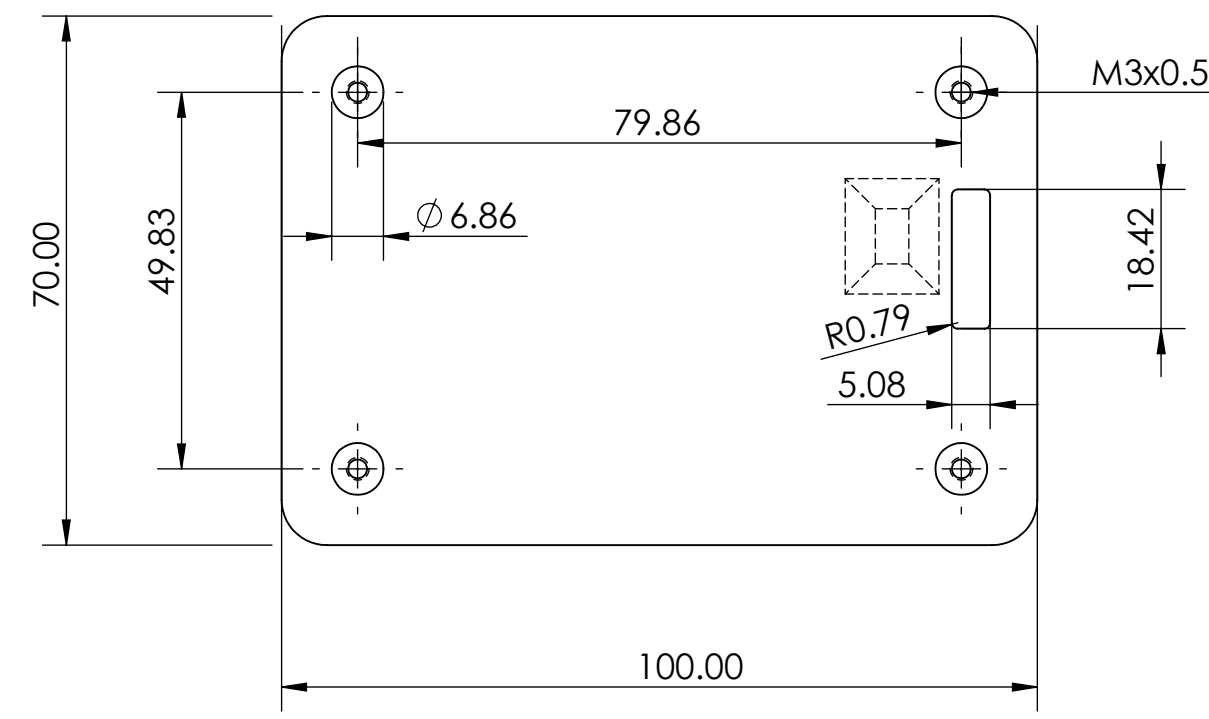
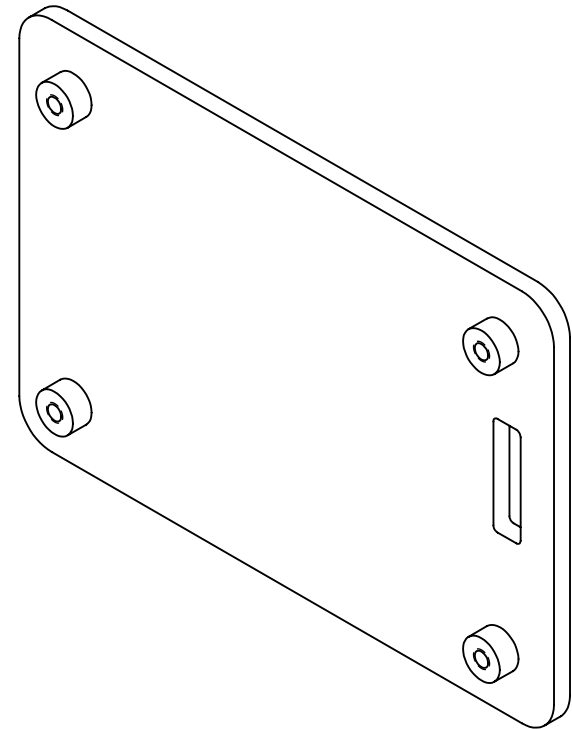
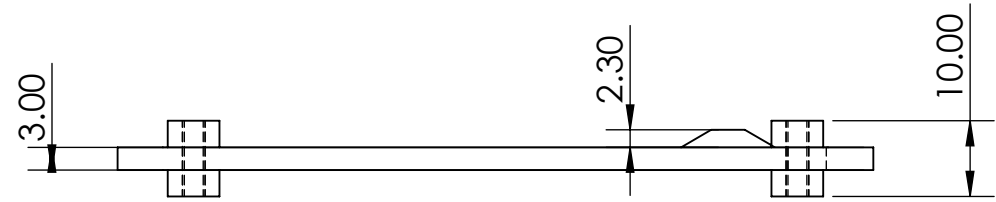


4


3

2

1



**PROPRIETARY AND CONFIDENTIAL**  
 THE INFORMATION CONTAINED IN THIS DRAWING IS THE SOLE PROPERTY OF <INSERT COMPANY NAME HERE>. ANY REPRODUCTION IN PART OR AS A WHOLE WITHOUT THE WRITTEN PERMISSION OF <INSERT COMPANY NAME HERE> IS PROHIBITED.

		UNLESS OTHERWISE SPECIFIED:	NAME	DATE	TITLE: <b>Popoto Mini Tray</b>	
		DIMENSIONS ARE IN Millimeters	DRAWN	James DellaMorte Jr	3/13/2020	 <b>Popoto Modem</b>
		TOLERANCES:	CHECKED			
		FRACTIONAL ±	ENG APPR.			
		ANGULAR: MACH ± BEND ±	MFG APPR.			
		TWO PLACE DECIMAL ± .1mm	Q.A.			SIZE DWG. NO. REV
		THREE PLACE DECIMAL ±	COMMENTS:			<b>B</b> 0860504-01 00
		INTERPRET GEOMETRIC TOLERANCING PER:				SCALE: 1:1 WEIGHT: SHEET 1 OF 1
		MATERIAL				
		5052 Al				
NEXT ASSY	USED ON	FINISH				
		Hardcoat Anodize				
APPLICATION		DO NOT SCALE DRAWING				

4

3

2

1

B

B

A

A